

TAKSTAR® 得胜



SGC-600 | 摄像采访麦克风
SHOTGUN MICROPHONE

使用手册 | User Manual

■ 前言

尊敬的用户：

感谢您选购得胜SGC-600 摄像采访麦克风，为了您能够更好的了解使用本产品，建议您在使用前仔细阅读本说明书。

若存在有疑问或者您有宝贵的建议，可通过拨打得胜官方服务热线400 6828 333或微信扫描二维码关注得胜官方公众号与我们联系。



■ 产品特性

- 专为摄像、采访而设计，适用于各类单反、DV及手机等设备；
- 笔式集音管，增强拾音距离、拾音方向准，有效降低环境噪音的拾取；
- 具有三段麦克风增益推子，可根据不同拾音距离的需要进行调节；
- 一键低切功能，大幅减弱200Hz以下背景噪声，录制声音更清晰；
- 采用标准的冷靴规格，能方便的将麦克风安装固定到摄像机上；
- 优化的防震结构，有效降低机械噪声和振动噪声的干扰；
- 采用一节1.5V AA电池供电，连续工作时间约100小时；
(视电池容量不同而有所差异)
- 具有低电指示功能，让用户充分做好更换电池的准备。

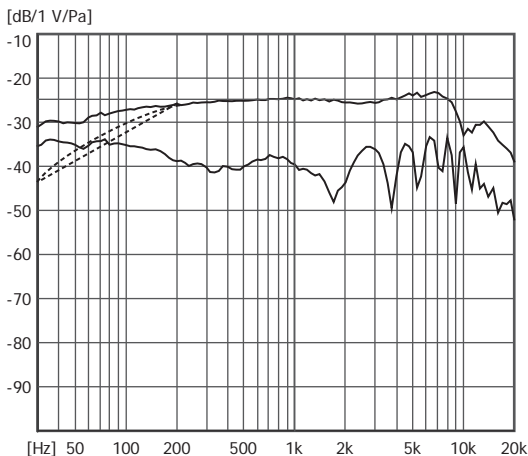
■ 包装清单

麦克风	1支
C2-1 手机转换线	1条
防风棉	1个
5号电池	1节
说明书	1份

■ 适用范围

新闻采访、影视录音、节目主持、专题访谈等

■ 技术参数



音头：Φ10mm电容音头

指向性：超心型

频率响应：50Hz-16kHz

灵敏度：-25dB±3dB(OdB=1V/Pa at 1kHz)

增益调节：+10dB/0dB/-10dB

低切：200Hz 12dB/Oct

输出阻抗：2.2KΩ±30%

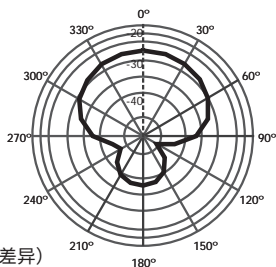
使用电压：1.5V AA电池

使用时间：约100小时（视电池容量不同而有所差异）

产品尺寸：约157mm X 48mm(长 X 高)，

集音管Φ11mm X 120mm（直径 X 长）

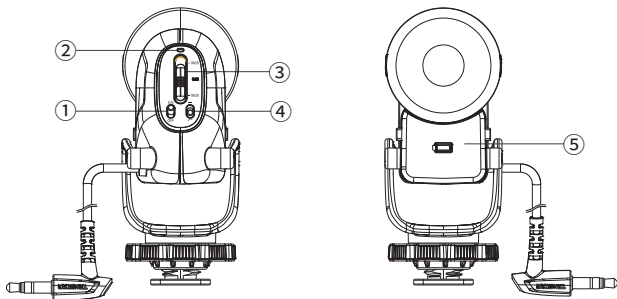
净重：约75g

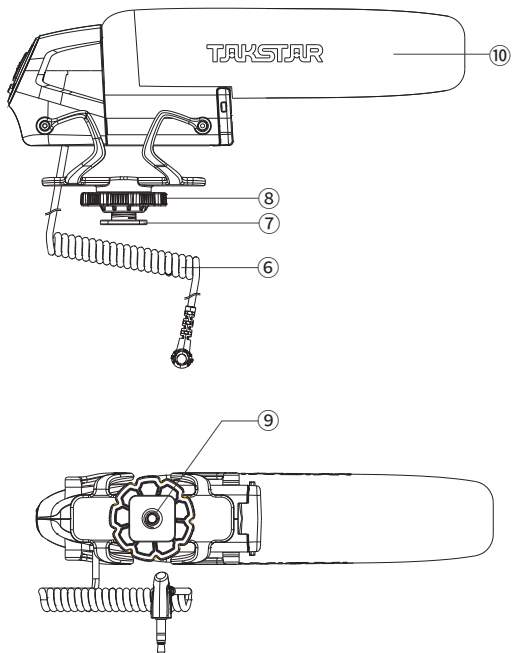


注：以上数据由得胜实验室测得并拥有最终解释权。

■ 功能示意

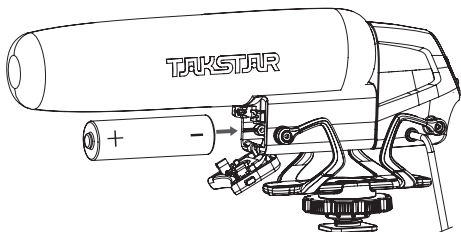
- ① 电源开关：拨到“ON”为开机状态；拨到“OFF”为关机状态；
- ② 电源指示灯：开机且电量充足时指示灯长亮绿灯；指示灯长亮红灯时，表明电量不足，请及时更换电池；
- ③ 音量推子：三档增益调节，+10dB为增强拾音灵敏度，适合远距离拾音；0dB为原声拾音，适合正常距离使用；-10dB为降低拾音灵敏度，适合近距离拾音，可根据不同使用环境选择；
- ④ 低切开关：向下拨到“∩”位置，打开低切功能，可衰减200Hz以下的低频噪声。向上拨到“—”位置，关闭低切功能，恢复原始拾音状态；
- ⑤ 电池仓：用于安装5号电池；
- ⑥ 弹簧线：Φ3.5mm立体声插头，用于连接摄像机或单反等摄影设备；
- ⑦ 冷靴座：用于将麦克风固定到摄像机或单反等设备上；
- ⑧ 旋钮：用于将麦克风锁紧到摄像机或单反等设备上；
- ⑨ 1/4螺孔：用于将麦克风安装到怪手，魔术手等拍摄杆上；
- ⑩ 防风棉：过滤风声干扰，提高拾音质量。





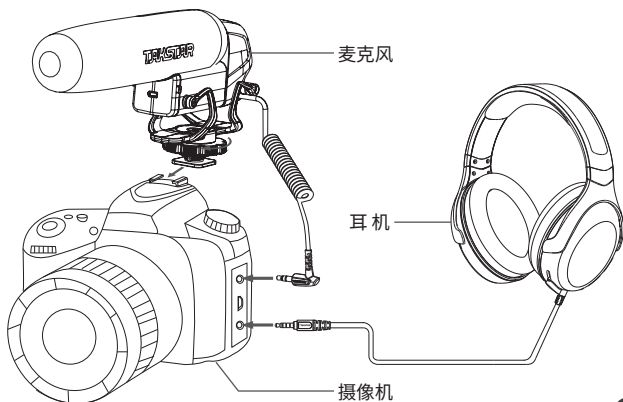
■ 使用说明

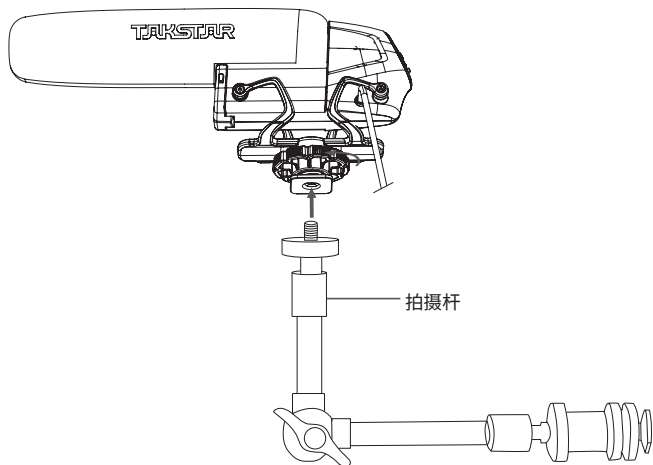
- 1、按住电池仓两侧打开仓门，将5号电池“-”极朝里，“+”极朝外，装入仓内，合上仓门；



- 2、安装到摄像机或单反等设备时，将冷靴座卡入摄像机的靴槽中，顺时针旋转旋钮将麦克风锁紧；安装到怪手、魔术手、采访杆等拍摄杆时，将麦克风底部的1/4螺孔与拍摄杆螺丝连接，顺时针扭紧；

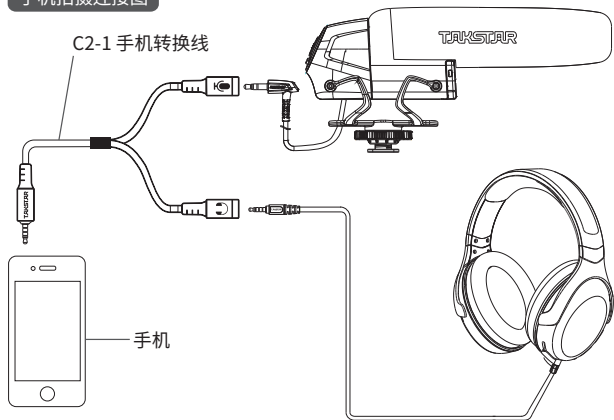
单反拍摄连接图



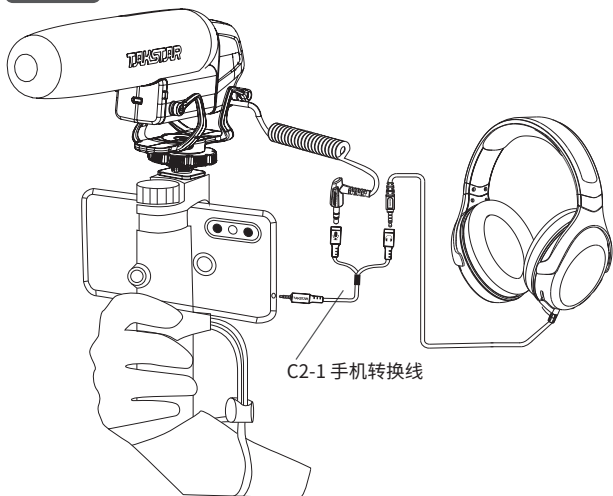


- 3、将麦克风的 $\Phi 3.5\text{mm}$ 插头插入摄像机或单反等摄影设备的麦克风接口，如需监听录制效果，则把耳机接到摄影设备的耳机接口即可（耳机需自行另购）；
- 4、如果是连接手机进行录制，先将C2-1手机转接线连接到手机的 $\Phi 3.5\text{mm}$ 接口，再将麦克风3.5mm插头接到C2-1手机转接线上标有“🎤”符号的接口。如需监听录制效果，则把耳机接到C2-1手机转接线上标有“🎧”符号的接口即可；

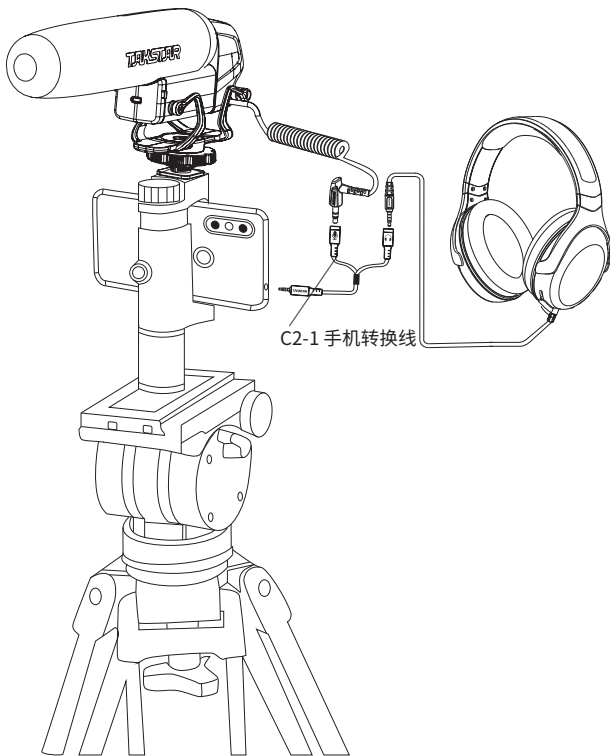
手机拍摄连接图



手持拍摄



支架拍摄



- 5、连接摄像机或单反等摄影设备录制时，麦克风音量推子建议拨到0dB位置，连接手机录制时，音量推子建议拨到+10dB位置。

■ 安全警告

为避免电击、高温、着火、辐射、爆炸、机械危险以及使用不当等可能造成的人身伤害或财产损失，使用本产品前，请仔细阅读并遵守以下事项：

1. 使用产品时请确认所连接设备与本产品功率是否匹配以及合理调整音量大小，不要在超过产品功率及大音量下长时间使用，以免造成产品异常和听力损伤；
2. 使用中若发现有异常（如冒烟、异味等），请立即关闭电源开关并拔掉电源插头，然后将产品送经销商检修；
3. 若产品需要使用可拆装电池时，严禁使用外壳绝缘材料破损的电池；请不要为非充电电池充电；
4. 废弃电池需放入指定的分类垃圾桶，不可作为儿童玩具或直接丢弃，以免造成安全隐患或影响环境；
5. 本产品及配件都应放置在室内干燥通风处，勿长期存放在潮湿、灰尘多的环境，使用中避免靠近火源、雨淋、进水、过度碰撞、抛掷、振动本机及覆盖通风孔，以免损坏其功能；
6. 若产品需要固定于墙壁或天花板上时，请确保固定到位，防止因固定强度不足导致产品发生跌落危险；
7. 使用该产品时需遵守相关安全规定，法律法规明确禁止使用场合请勿使用本机，以免导致意外事故；
8. 请不要自行拆机改装或维修，以防止出现人身伤害，如有问题或服务需求请联系当地经销商跟进处理。


■ 环保说明

产品中所含有毒有害物质或元素的名称及含量

部件名称 (大体分类)	有毒有害物质或元素					
	铅 (Pb)	汞 (Hg)	镉 (Cd)	六价铬 (CrVI)	多溴联苯 (PBB)	多溴二苯醚 (PBDE)
塑胶部件	○	○	○	○	○	○
五金部件	×	○	○	○	○	○
电路板组件	×	○	○	○	○	○
线缆	×	○	○	○	○	○

本表格依据SJ/T 11364的规定编制。
 ○: 表示该有害物质在该部件所有均质材料中的含量均在 GB/T 26572规定的限量要求以下。
 ×: 表示该有害物质至少在该部件的某一均质材料中的含量超出 GB/T 26572规定的限量要求。

此标志为产品的环保使用期限标志，
 且此标志使用期限只适用于产品正常工作的温度和湿度等条件。



■ Preface

Dear Customer,

Thank you for purchasing Takstar SGC-600 Shotgun Microphone. Please read the user manual carefully before operation and keep it for reference in future.

If you have any question or suggestion, please contact our local dealer.

■ Features

1. Tailored for photography/interview, suitable for DSLR/DV/cell phone.
2. Pipe cartridge promotes picking up range and accuracy but reduces ambient noise picking up.
3. Microphone gain fader to adjust according to the requirement of picking up range.
4. Low cut function for background noise below 200Hz to make recording clearer.
5. Standard cold shoe design for convenient installation on camera.
6. Anti-vibration structure effectively reduce the mechanical noise and vibration noise.
7. One 1.5V AA battery, Continuous operation time is approximately 100h (based on the battery capacity).
8. Low power voltage indication.

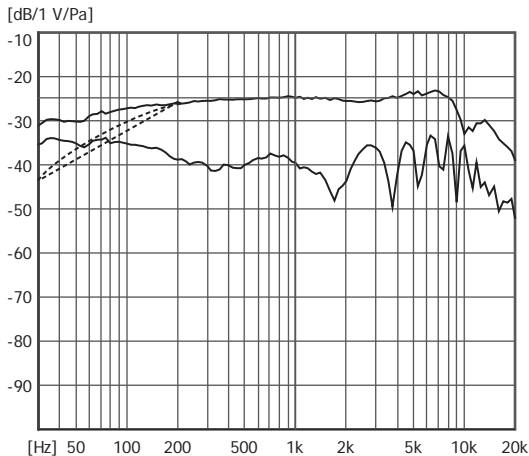
■ Application

News interview, video recording, program hosting, special inter, Thematic interview

■ Product content

Microphone	1 pc
C2-1 Splitter Cable	1 Pc
Windscreen.....	1 Pc
Battery	1 Pc
User Manual.....	1 Pc

■ Specification



SGC-600 SHOTGUN MICROPHONE

Cartridge: Φ 10mm condenser cartridge

Polar Pattern: super-cardioid

Frequency Response: 50Hz-16kHz

Sensitivity: $-25\text{dB} \pm 3\text{dB}$ ($0\text{dB}=1\text{V}/\text{Pa}$ at 1kHz)

Gain Adjustment: $+10\text{dB}/0\text{dB}/-10\text{dB}$

Low Cut: 200Hz 12dB/Oct

Output Impedance: $2.2\text{K}\Omega \pm 30\%$

Power Supply: 1.5V AA battery

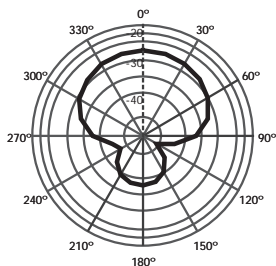
Operation time: approximate 100h

(based on the battery capacity)

Product dim: L157mm X H48mm

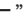
Collecting tube Φ 11mm X L120mm

Net Weight : 75g (Appr.)

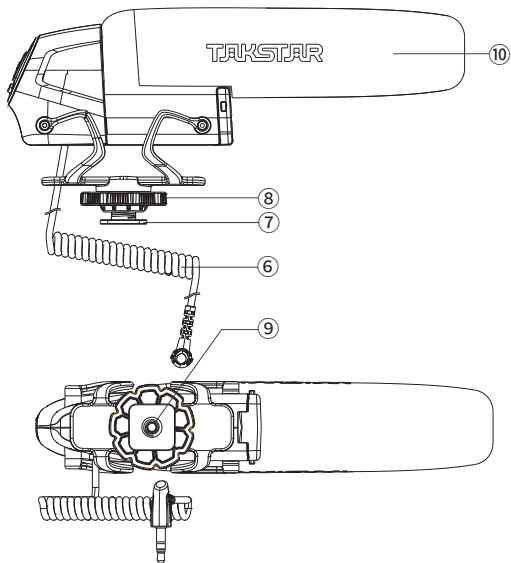
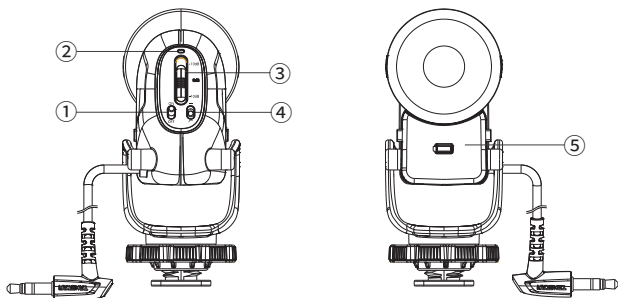


Note: The above data are obtained by Takstar Laboratory and have the right of final interpretation has the right of final interpretation.

■ Function instruction

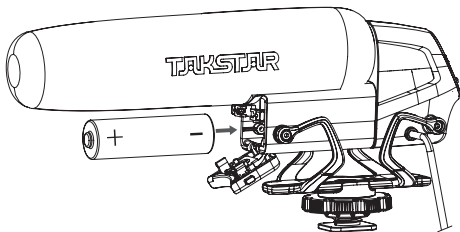
- ① Power switch: set switch to ON to turn on and OFF to turn off.
- ② Power LED: If there is sufficient power when turning on it, the power LED keeps lighting up green. The LED keeps lighting up red means insufficient power. Please replace the battery in time.
- ③ Volume fader: 3 step gain adjustment: +10dB boosts sensitivity for wide range picking up. 0dB is picking up original sound at normal range. -10dB reduces sensitivity for near range picking up. User can select according to application environment.
- ④ Low cut switch: set it to “  ” position to turn on low cut function to attenuate LF noise below 200Hz. Set it to “ — ” position to turn off low cut function to return to original picking up status.
- ⑤ Battery compartment: it is used for loading AA battery.
- ⑥ Cable: $\Phi 3.5$ mm stereo connector to connect with camera or DSLR, etc.
- ⑦ Cold shoe: used to fix microphone onto camera or DSLR.
- ⑧ Knob: used to lock microphone onto camera or DSLR.
- ⑨ 1/4 socket: used to assemble microphone onto photography stand.
- ⑩ Windscreen: used to prevent from pop noise and promote sound quality.

SGC-600 SHOTGUN MICROPHONE



■ Operation instruction

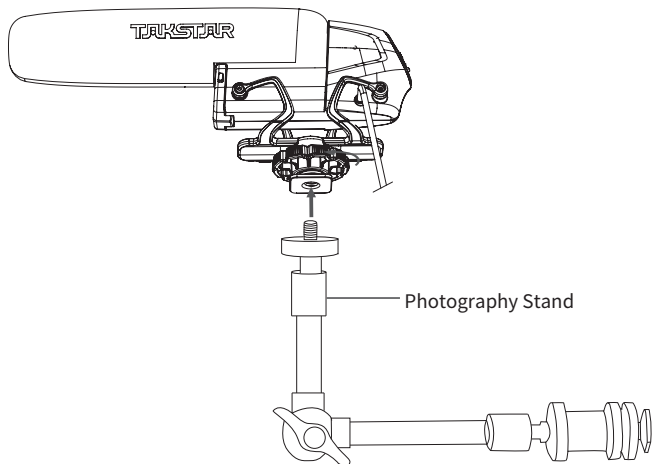
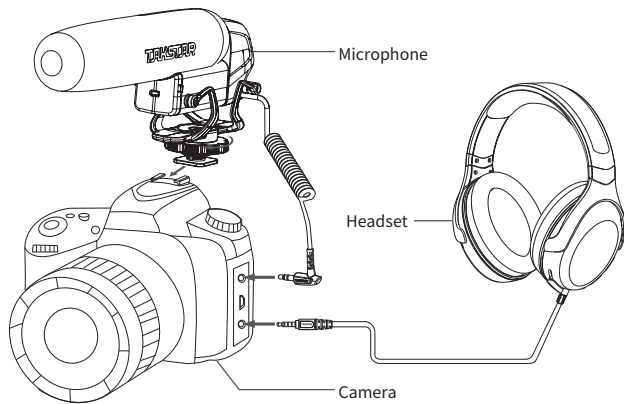
1. Open the battery compartment. Put the battery in and keep the polarity +/- right, and then close the compartment.





2. When assembling it with camera or DSLR, insert the cold shoe into the slot of the camera. Turn the knob clockwise to fix the microphone. When assembling it with photography stand, connect the 1/4 socket on the microphone with photography stand. Turn it clockwise to fix the microphone.

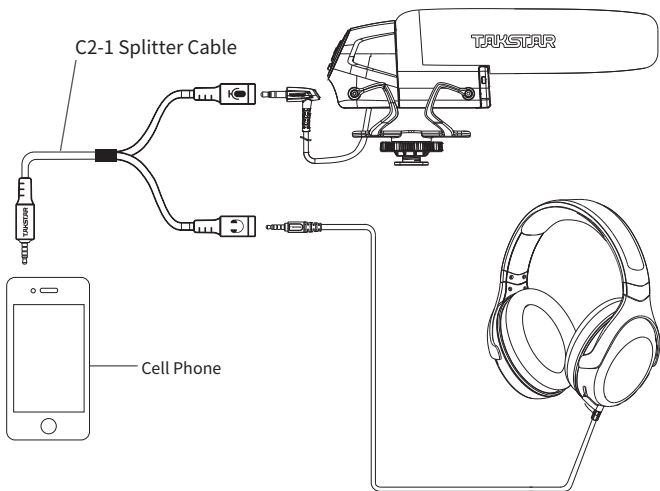
SGC-600 SHOTGUN MICROPHONE

Connection diagram of camera photography

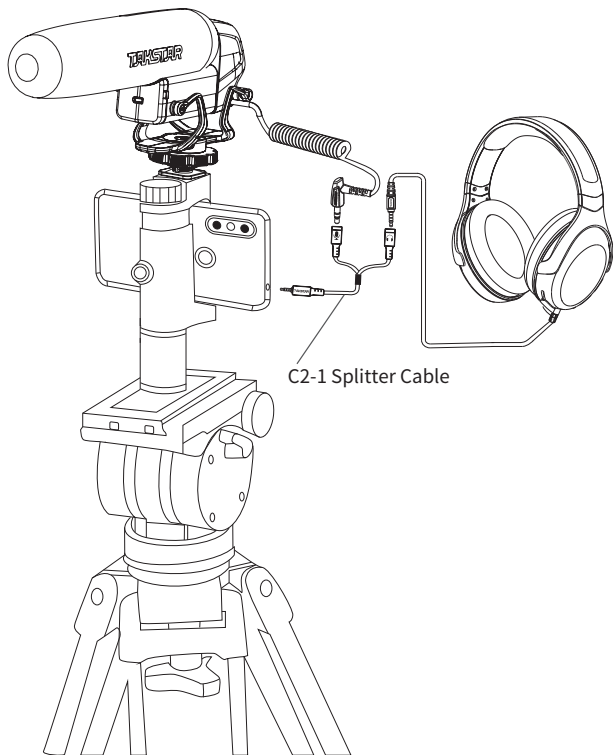


3. Connect the microphone $\Phi 3.5\text{mm}$ connector with the mic connector of camera or DSLR. If you need to monitor the recording effect, connect the headset with the headset connector of camera or DSLR (Buy the headset additionally).
4. If you need to connect cell phone for recording. Connect C2-1 cable with $\Phi 3.5\text{mm}$ connector of the cell phone, and connect 3.5mm microphone connector with the connector which is marked “” on C2-1 cable. If you need to monitor the recording effect, connect the headset with the connector which is marked “” on C2-1 cable.

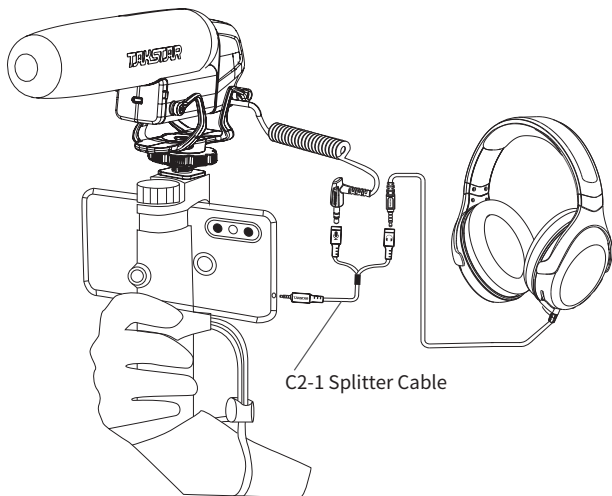
Connection diagram of cell phone photography



Stand photography



Handheld photography



5. When connecting with camera or DSLR for recording, it is recommended to set the mic volume fader to 0dB. When connecting with cell phone for recording, it is recommended to set the mic volume fader to +10dB.

■ Cautions

To avoid electric shock, over temperature, catching fire, explosion, mechanical risk and hurt or property loss caused by improper use, please read the following items carefully before operation:

1. Make sure the power of connected equipment matches with that of this product. Adjust the volume to proper level during operation. Do not operate at high volume level to avoid hearing loss.
2. If abnormal phenomenon (smoke, abnormal smell) happens, please turn off the power switch and disconnect the power plug with power socket, and send the product to local dealer for maintenance.
3. Using battery of broken insulation material is forbidden to avoid short circuit. Do not charge the non-rechargeable battery.
4. Put the waste battery into classification dustbin rather than used as toy by children or discarded directly to avoid potential danger or affecting the environment.
5. The product and accessories should be put in dry and ventilated place rather than humid or dusty environment. Prevent the product from liquid, rain, water, over-colliding, throwing, vibrating, vent hole covered to avoid function destroyed.
6. When the product needs to be installed on wall or ceiling, please fix it tightly to avoid dropping risk.
7. Please abide by safety rules during operation. Do not use the product in the place prohibited by regulation or law to avoid accident.
8. Do not disassemble or repair the product by yourself to avoid hurt. If you have question or need service, please contact the local dealer.

产品服务保证书

姓名：_____ 电话：_____ 地址：_____

商品：_____ 型号：_____ 购买日期：_____ 年 ___ 月 ___ 日

维修记录栏(由维修员填写)	维修员签名	日期

注意事项：

1. 本单为保修凭证，请用户妥善保管，如有遗失，恕不保修或退换。
2. 保修期限制：购买之日起十二个月内。
3. 除了不可抗力事件损坏外，由本公司负责，免费维修。
4. 如属保管不善或使用不当造成的损坏，维修点将酌情收费。
5. 擅自拆卸维修者，不予保修。
6. 以上保修条款仅限于中国市场适用（不包含港澳台地区）。



扫一扫，了解更多产品
Scan for more
product information

广东省电声工程技术研究开发中心 广东得胜电子有限公司制造

地址：广东省惠州市博罗县龙溪街道富康一路2号
服务热线：400 6828 333 传真：0752 6383950
邮箱：xs@takstar.com
网址：www.takstar.com

Guangdong Takstar Electronic Co., Ltd.
Address: No. 2 Fu Kang Yi Rd., Longxi Boluo
Huizhou, Guangdong 516121 China
Tel: 86 752 6383644 Fax: 86 752 6383952
Email: sales@takstar.com
Website: www.takstar.com

GB/T 14198-2012
9TGC600S2A